



## GX6

### Features:

- Stylish white design to complement modern decor.
- Highly efficient axial fan suitable for direct ventilation to the outside.
- Standard, Timer, Humidistat and 2 Speed Humidistat models available.
- Wall, Window, and panel mounting options.
- Silent Shutter Operation via a thermal actuator (except GXC6).
- Trickle Ventilation facility for background ventilation when not in use.
- Front Cover finger guarded for additional safety.
- Totally enclosed, lubricated for life motors.
- BEAB Approved.
- Easy cleaning and maintenance.
- 3 year (UK - ONLY) guarantee.
- Export customers see your Local Distributor.

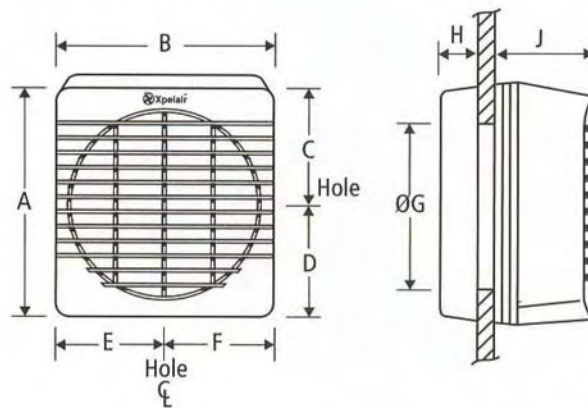


Air Flow at FID (m <sup>3</sup> /h):	275 (76.39 l/s)
Sound Pressure (dB(A)):	33.5
RPM:	1350
Max Ambient Temperature:	40
Frequency (Hz):	50
Power (W):	37
Colour:	White
Voltage:	240V
Mounting:	Wall, Window, Roof Fan
Usage:	Utility, Kitchen, Office





### Dimensions



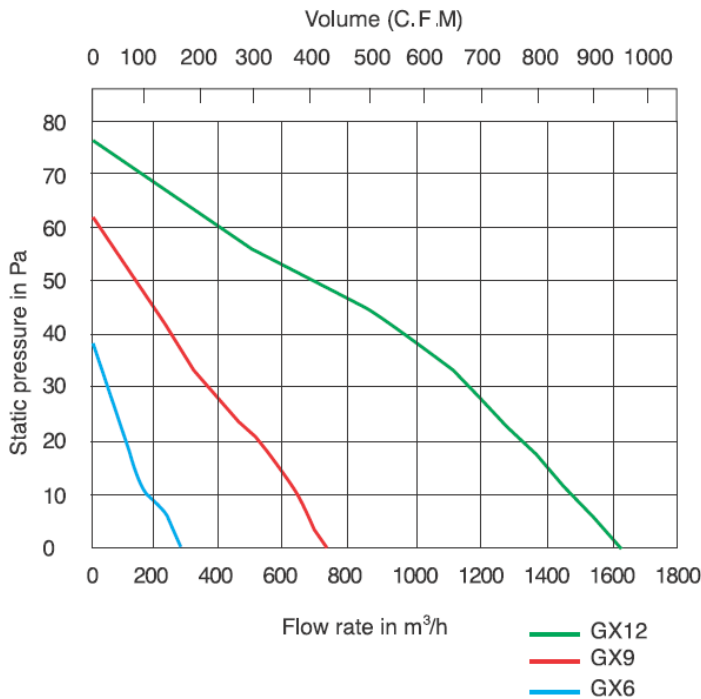
	GX6
A	226
B	210
C	119
D	107
E	109
F	101
G Window hole dia.	184
H	32
J	112
Weight (Kg)	1.9





# GX6

## Performance



## Wiring Diagram

### Xpelair GX6

GX6

